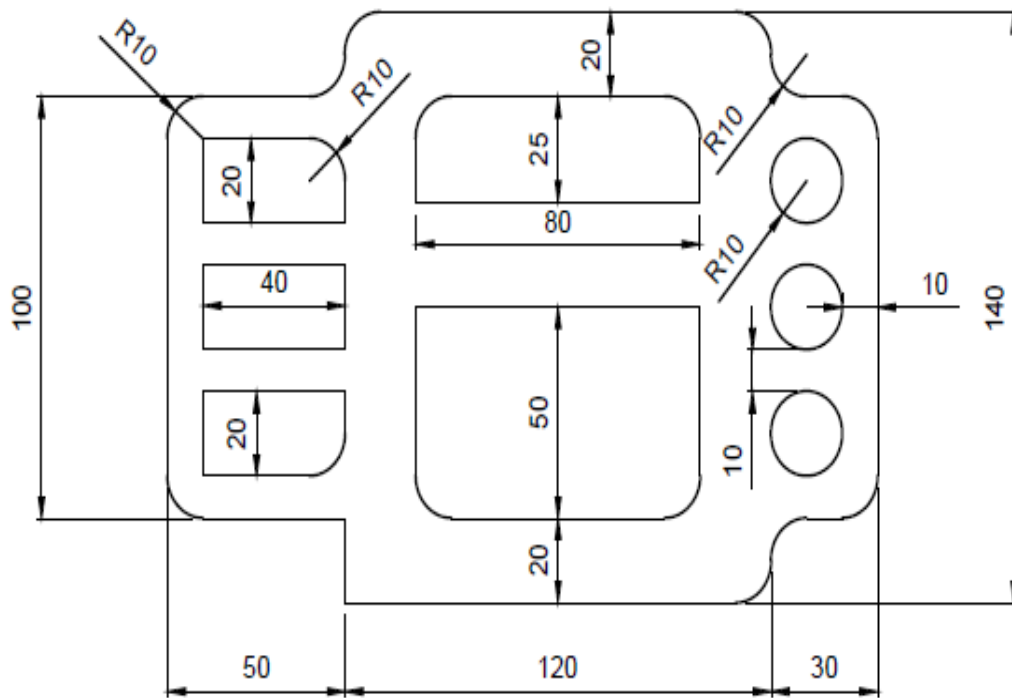


# TP DAO AutoCAD

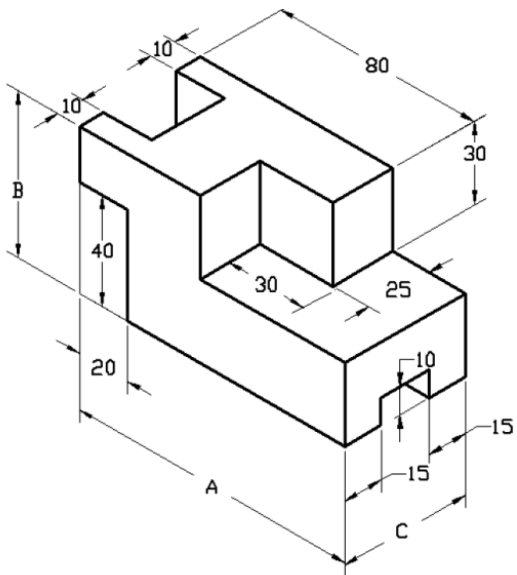


<https://www.youtube.com/watch?v=HqzK2MpEIAI>

## AutoCAD 3D

1

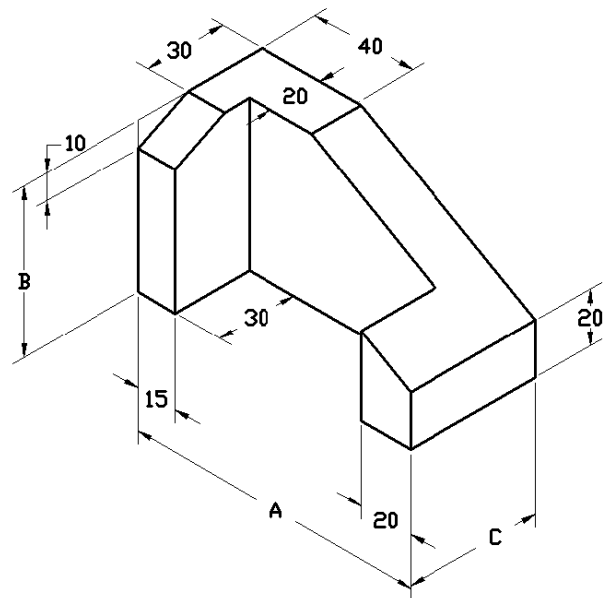
*Pièce 1*



A=110 mm, B= 60 mm, C= 50 mm

[https://www.youtube.com/watch?v=p1Go57\\_UWaA&t=202s](https://www.youtube.com/watch?v=p1Go57_UWaA&t=202s)

*Pièce 2*

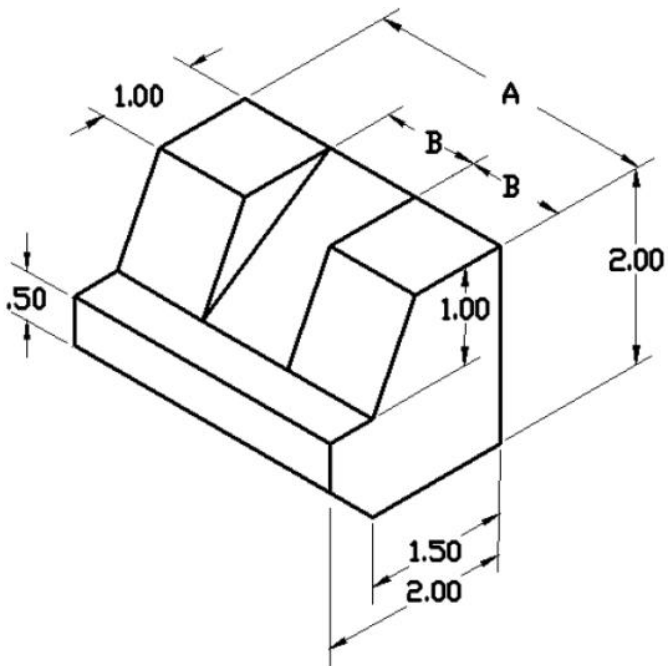


A=110 mm, B= 60 mm, C= 50mm

[https://www.youtube.com/watch?v=lxvIL6K\\_n4](https://www.youtube.com/watch?v=lxvIL6K_n4)

1

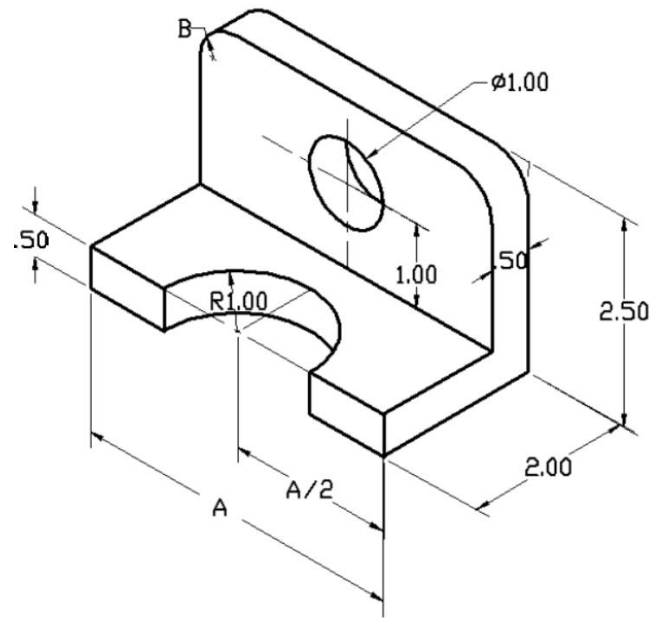
Pièce 3



A=3 mm, B= 1 mm

<https://www.youtube.com/watch?v=ChT02CjsQmo>

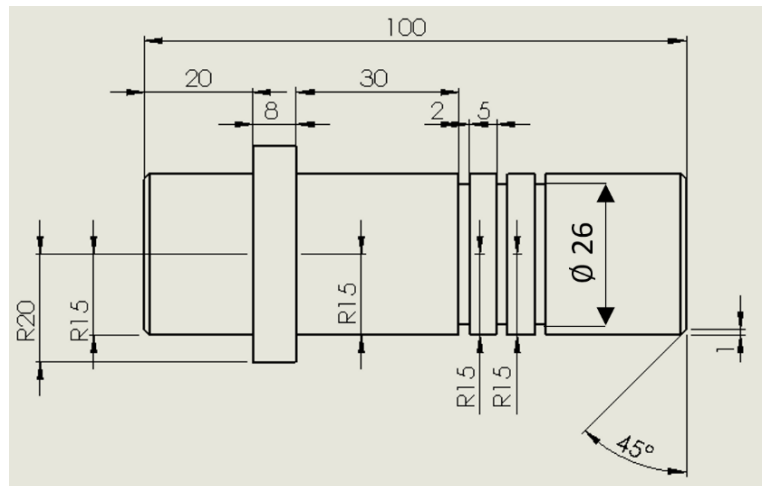
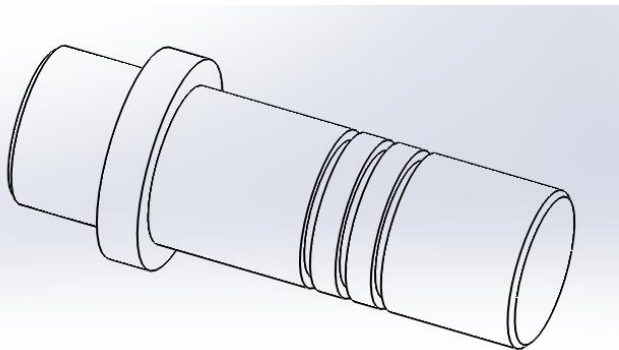
Pièce 4



A=4 mm, B= 0.5 mm

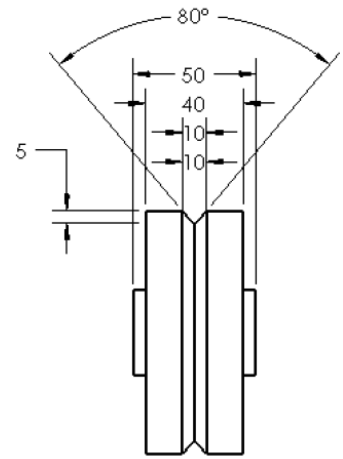
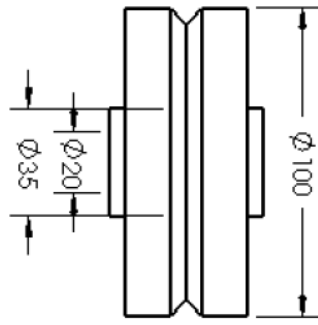
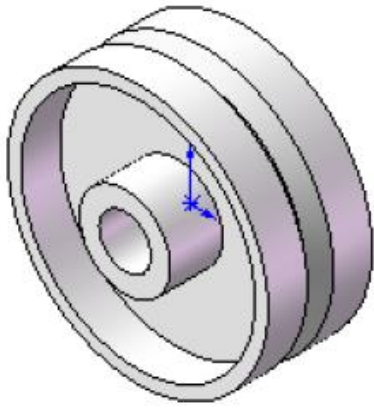
<https://www.youtube.com/watch?v=UXsNHfcf5vM>

Pièce 5



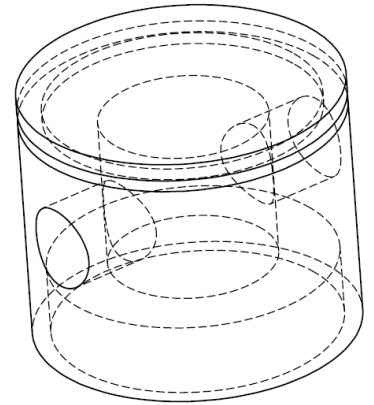
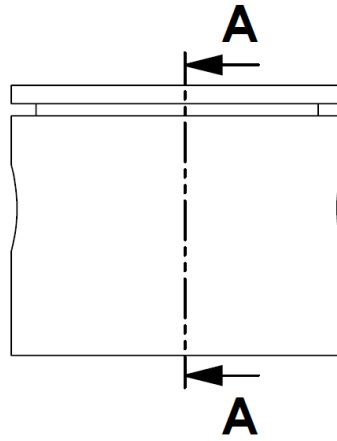
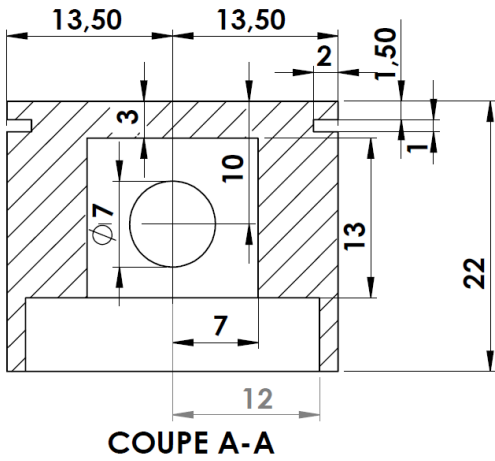
<https://www.youtube.com/watch?v=voyPbCGnmZU>

Pièce 6



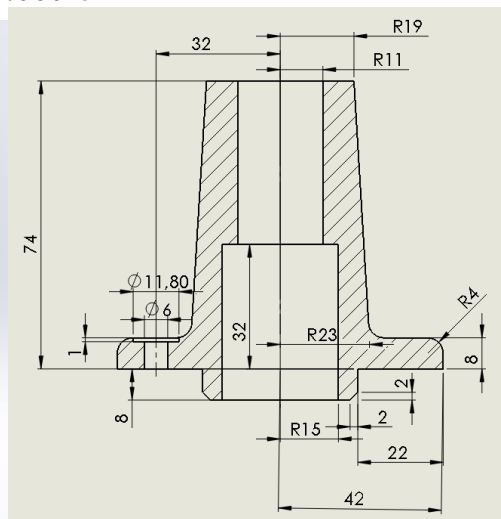
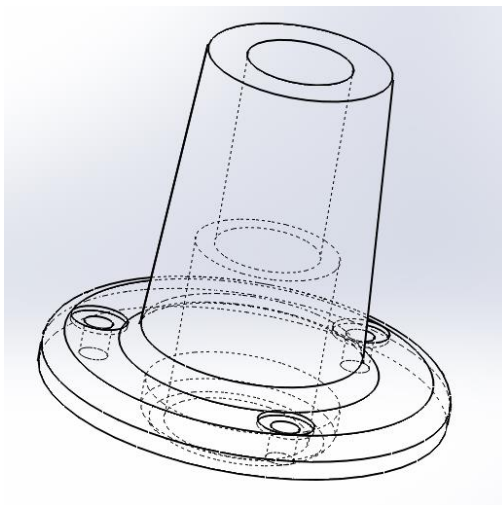
<https://www.youtube.com/watch?v=LGT5F3MosL8>

Pièce 7



<https://youtu.be/gNRu4AwZsqQ>

Pièce 8



<https://www.youtube.com/watch?v=RUoV4Pho3gU>

*Solution*



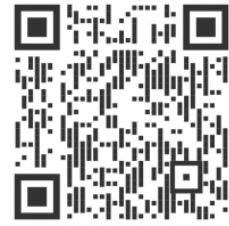
*Piece 2D*



*Piece 1 3D*



*Piece 2 3D*



*Piece 3 3D*



*Piece 4 3D*



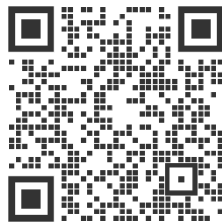
*Piece 5 3D*



*Piece 6 3D*



*Piece 7 3D*



*Piece 8 3D*